

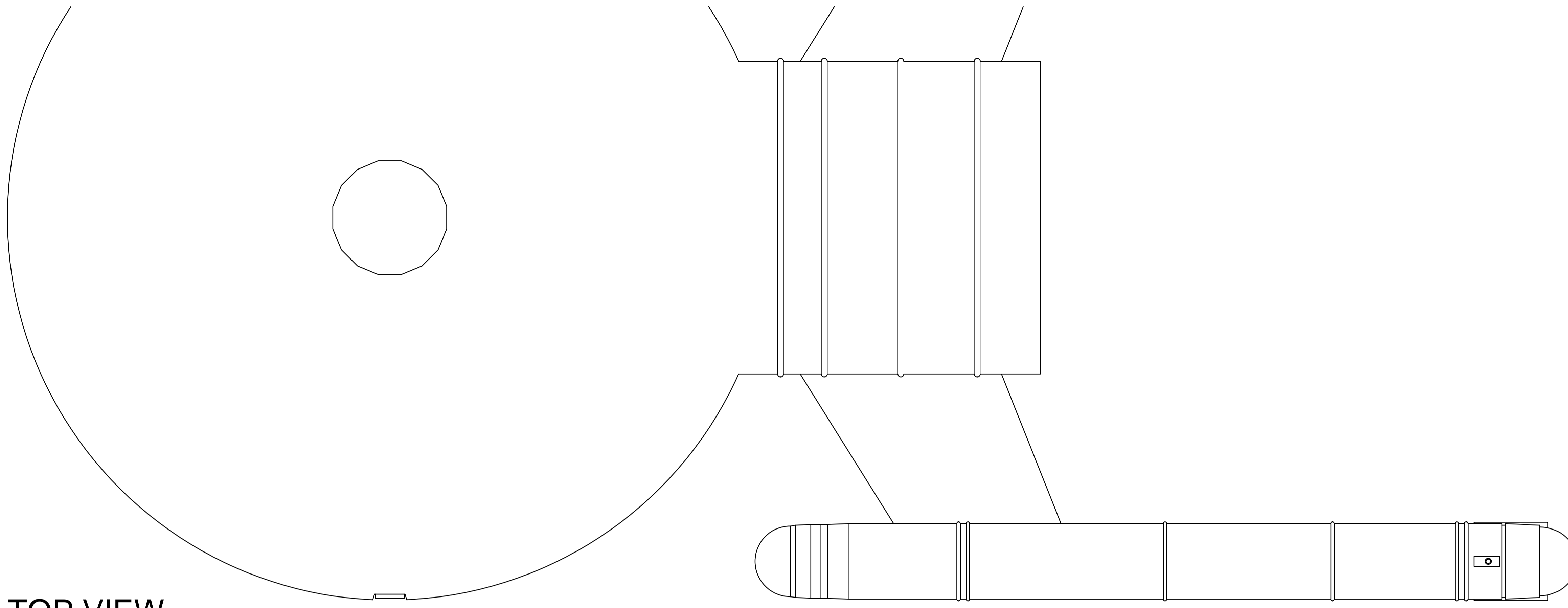
Date:	Revision:	Details:
AMENDMENTS:		
Project: MY NX CLASS ALTERNATIVE		
Owner:		
Location:		
Drawn By: DANIEL EVANS		

THESE DOCUMENTS SHALL BE READ IN CONJUNCTION WITH THE SCHEDULE, ENGINEER'S DETAILS, COUNCIL PLANNING REGULATIONS & CONDITIONS OF APPROVAL. ANY DISCREPANCIES SHALL BE REPORTED TO THE DESIGNERS IMMEDIATELY. IF IN DOUBT ASK !!!

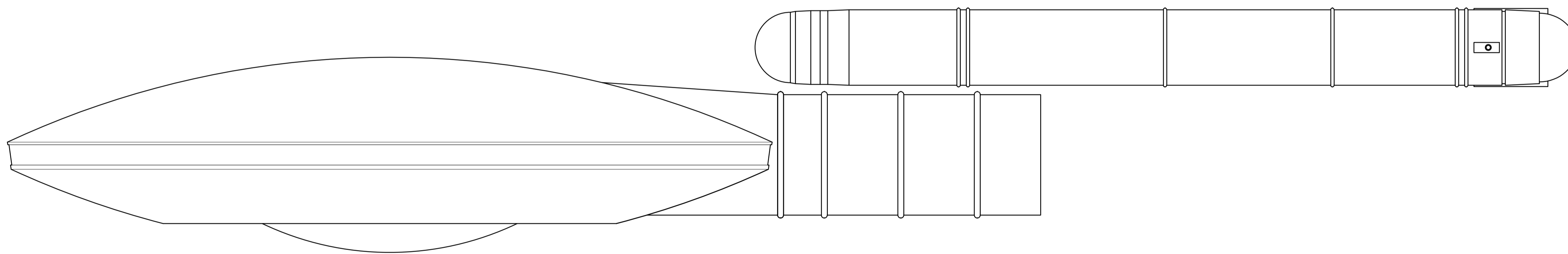


THESE DRAWINGS ARE THE COPYRIGHT PROPERTY OF THE DESIGNER AND ARE NOT TO BE REPRODUCED OR COPIED WITHOUT PRIOR WRITTEN LICENCE OF THE DESIGNER !

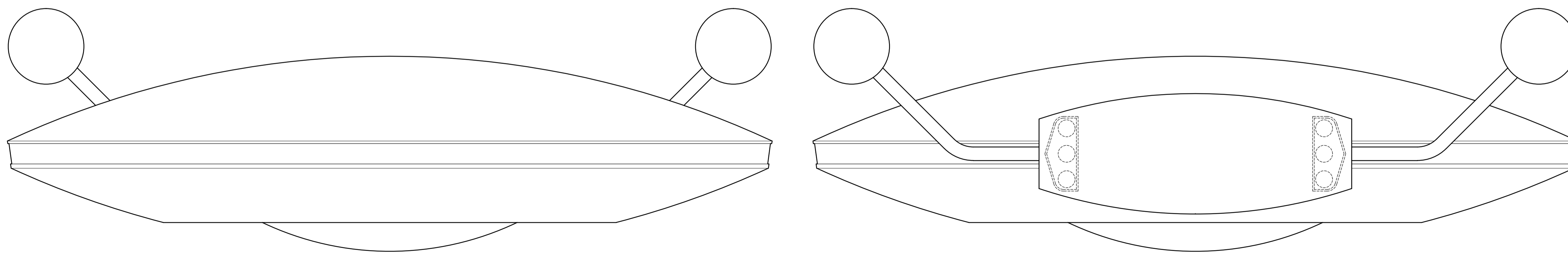
SCALES: AS SHOWN	DATE: MAR 2013	PROJECT REF. NO. 201301
SHEET NO: 1	ISSUE: A	



TOP VIEW
1:300



SIDE VIEW
1:300



FORE VIEW
1:300

REAR VIEW
1:300

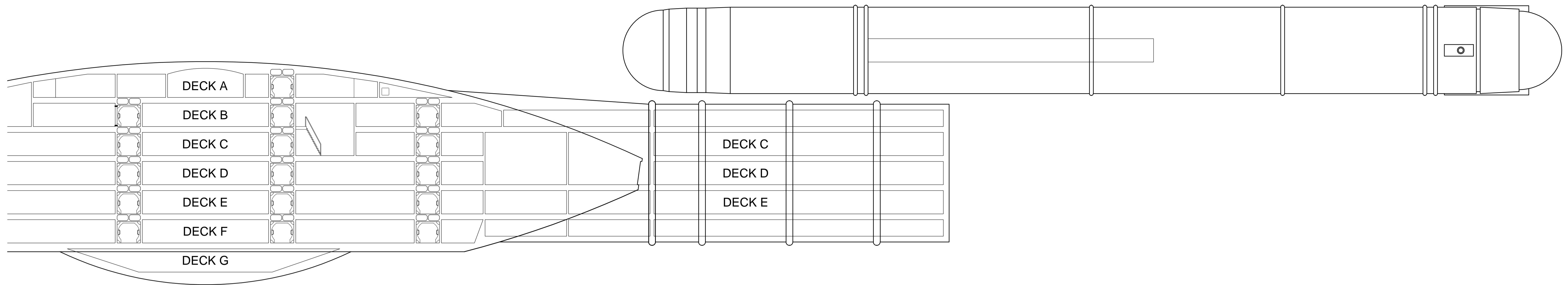
Date:	Revision:	Details:
AMENDMENTS:		
Project: DAEDALUS CLASS EXPLORER		
Owner:		
Location:		
Drawn By: DANIEL EVANS		

THESE DOCUMENTS SHALL BE READ IN CONJUNCTION WITH THE SCHEDULE, ENGINEER'S DETAILS, COUNCIL PLANNING REGULATIONS & CONDITIONS OF APPROVAL. ANY DISCREPANCIES SHALL BE REPORTED TO THE DESIGNERS IMMEDIATELY. IF IN DOUBT ASK !!!



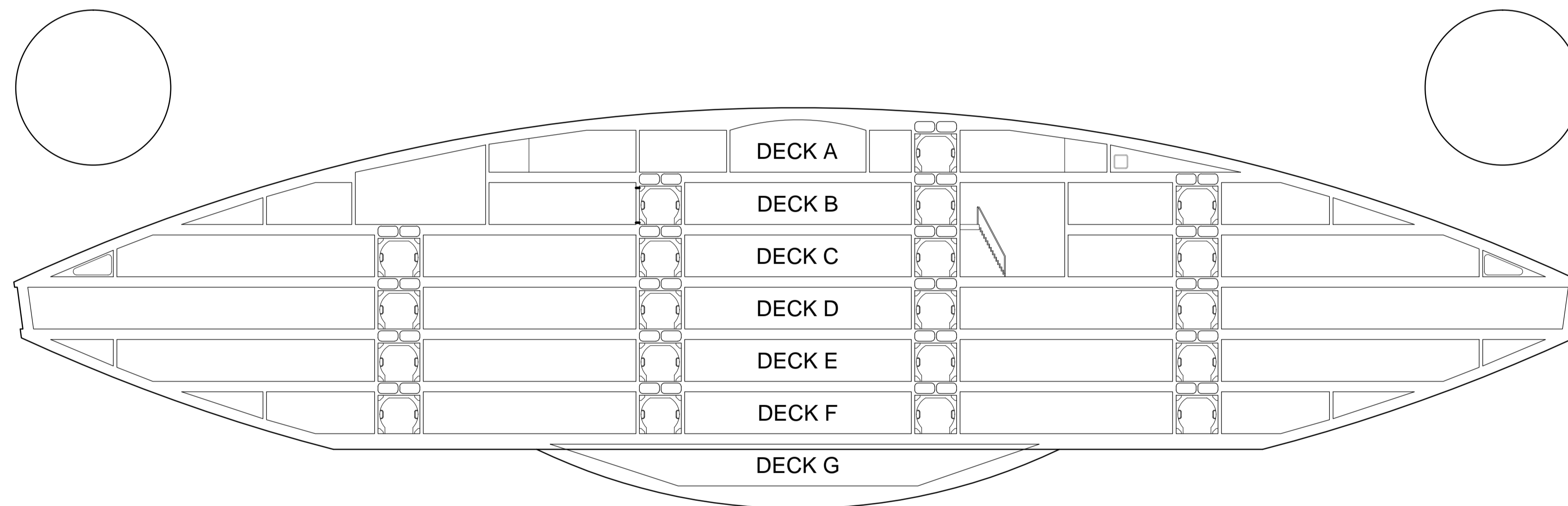
THESE DRAWINGS ARE THE COPYRIGHT PROPERTY OF THE DESIGNER AND ARE NOT TO BE REPRODUCED OR COPIED WITHOUT PRIOR WRITTEN LICENCE OF THE DESIGNER !

SCALES: AS SHOWN	DATE: MAR 2013	PROJECT REF. NO. 12 - 01
SHEET NO: 2	ISSUE: A	



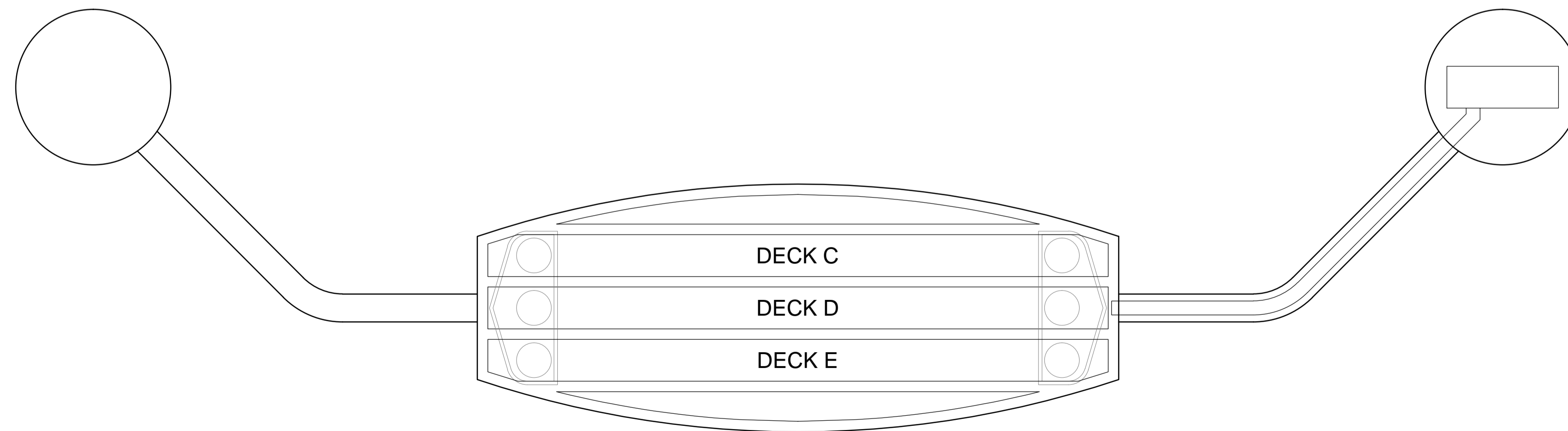
SIDE SECTION

1:200



FORE SECTION

1:200



REAR SECTION

1:200

Date:	Revision:	Details:
AMENDMENTS:		
Project: DAEDALUS CLASS EXPLORER		
Owner:		
Location:		
Drawn By: DANIEL EVANS		

THESE DOCUMENTS SHALL BE READ IN CONJUNCTION WITH THE SCHEDULE, ENGINEER'S DETAILS, COUNCIL PLANNING REGULATIONS & CONDITIONS OF APPROVAL. ANY DISCREPANCIES SHALL BE REPORTED TO THE DESIGNERS IMMEDIATELY. IF IN DOUBT ASK !!!



THESE DRAWINGS ARE THE COPYRIGHT PROPERTY OF THE DESIGNER AND ARE NOT TO BE REPRODUCED OR COPIED WITHOUT PRIOR WRITTEN LICENCE OF THE DESIGNER !

SCALE:	DATE:	PROJECT REF. NO.:
AS SHOWN	MAR 2013	12 - 01
SHEET NO.:	ISSUE:	
2	A	